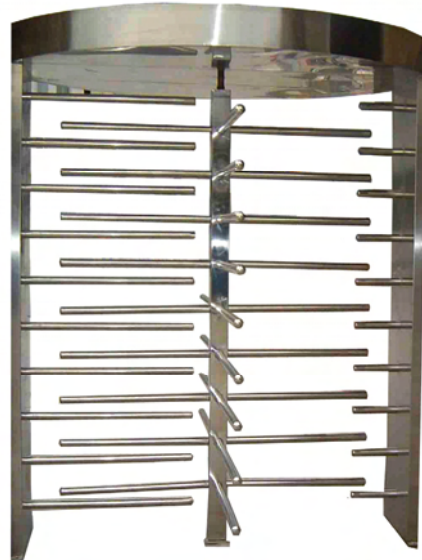




TPW-221A (Basic Sample)



TPW-221B (Basic Sample)

Full Height Turnstiles

Principle

Turnstile for automatic access control, mainly for combination with other controllers, like:

- Only support interface of access control (Default)
- Support ID/IC Card access control system
- Support ID/IC Card + Password access control system
- Support Fingerprint access control system
- Support Ticketing access control system

Basic Function

1. Reposition automatically;
2. Bi-direction passing;
3. The three gates always being at the closing state;
4. The gate turns 120° at a time.
5. Input Interface: Dry Contact Digital Signal

Three passing modes for both in or out:

Free in & out (without locked);

Limited in & out (controlled by access control system);

Forbidden in & out (locked & without control by the access control system)

●: Default ○: Optional

Installation

- Sleeve foundation
- Finished floor (FFL)
- Sub floor level(SFL)

Material

Stainless steel glossy

- 304
- 316

Finish

- Brushed
- Grit satin
- Hot-galvanized
- Powder coated in colors

Construction

Turnstile column

Curved bars of stainless steel

Guiding elements inside & outside

Light metal casing, natural anodized

Portal frame

Made of steel with space reserved for installations

The housing is lockable

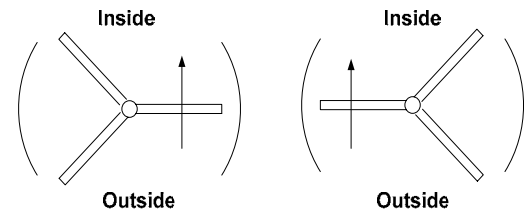
Drive

- Push to make the gate rotate.
- Optical induction(intelligent):
The low energy motor drive moves the turnstile column to next home position. The revolving speed is adjustable; a slight manual speed up is possible. If no passage is completed, the release will be cancelled after an adjustable time.

Operation

Passage side

- inwards right (variant A)
- inwards left (variant B)



Access

Entry and exit direction electrically controlled

In case of power failure

Entry direction:

- free
- locked

Exit direction:

- free
- locked

Electrical data

Control integrated in the unit

Power supply:

- 220V AC @ 60Hz
- 230V AC @ 50Hz
- 110V AC @ 50Hz
- 100V AC @ 50Hz

Control voltage: 24VDC

Control possibilities

Various setting possibilities by PC (RS232) or handheld programming device.

Release

By means of a potential-free normally open contact, e.g. push-button or card reader.

Packing

Three layers packing

- 1: Wooden box
- 2: EPE film
- 3: Paper box

Structure

1: length*width*height (mm)

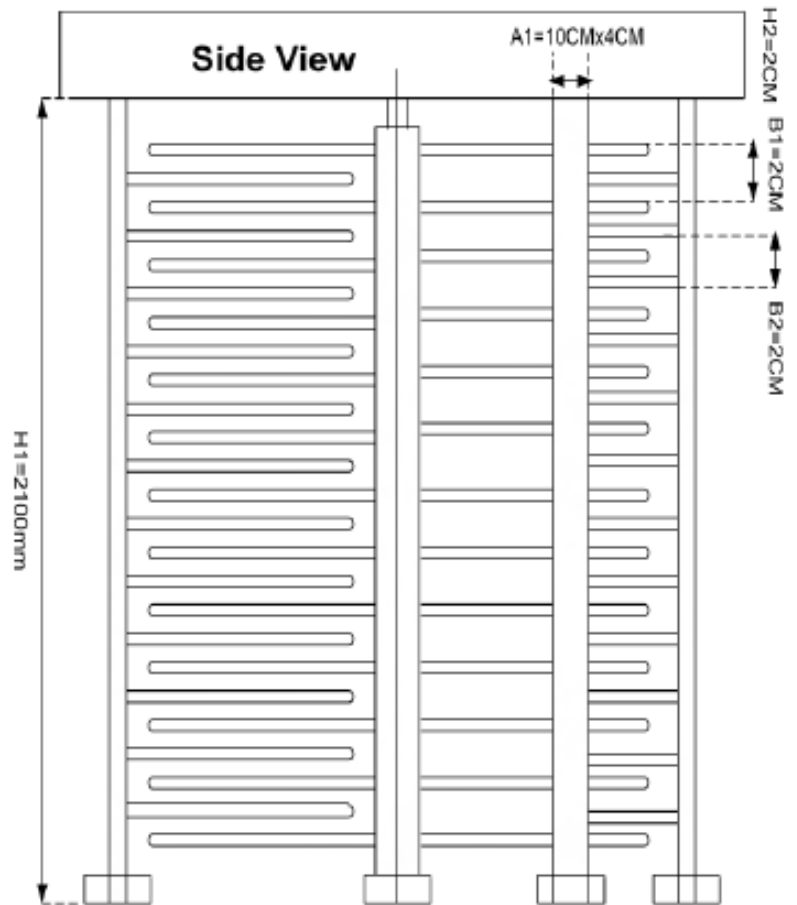
- 1630*1500*2300
(Single revolving door)
- 2050*1500*2300
(Double revolving doors)
- Client institute

2: Pole shape and diameter

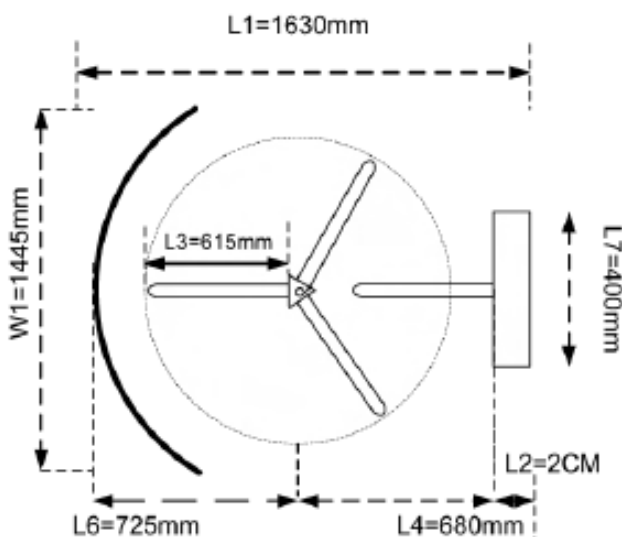
- Beeline(shape)
- camber(shape)
- \varnothing 32mm
- \varnothing 38mm
- \varnothing 42mm
- Client institute

OEM & ODM

Support OEM & ODM cooperation



TPW-221A Top View 1



TPW-221A Top View 2

