

PORTABLE WAIST HEIGHT SINGLE TURNSTILE



**Access control,
 anywhere, any time!**

- With a wide range of applications, The TOURNAMENT is the perfect solution for any event
- The TOURNAMENT is suitable for use on any surface, be it indoor or outdoor
- Designed for high speed ultra quiet operation
- Exported worldwide

APPLICATIONS	<ul style="list-style-type: none"> • Suited for applications requiring high volume access and medium levels of security • Used extensively in applications such as stadiums, race tracks, concerts, conventions, exhibitions and temporary events
DESIGNED FOR	<ul style="list-style-type: none"> • Interior and exterior installations • Severe operating conditions
AVAILABLE CONFIGURATIONS	<ul style="list-style-type: none"> • Single

Unique features of the TOURNAMENT turnstile range

ROTALOK® ROTATION LOCKING MECHANISM

- Fitted to all TOURNAMENT turnstiles
- Ultra heavy-duty electromechanical rotation locking mechanism
- Bi-directional operation
- Designed by professional engineers
- Tried, tested and perfected over a period of more than 20 years

RELIABLE

TECHNOLOGY

- Self-centering rotation system – rotor returns to starting position after every rotation
- Anti-trap® safety system - no mid-rotation locking or trapping in the event of a power failure
- Extra secure 60° anti-reverse system
- Programmable PLC logic with user diagnostic features
- Mechanical key override – clockwise and anticlockwise directions

DURABLE

FEATURES

- Zinc plated for corrosion resistance
- Ultra quiet, buffered solenoids and pawls
- Solenoids rated for 100% duty cycle
- Case hardened locking disk and pawls – eliminating any wear
- Factory settings need no further adjustment
- No routine maintenance whatsoever, ever

GUARANTEED

MANUFACTURED TO LAST

- 5 year mechanical guarantee
- 1 year electrical guarantee

ROTASLO® HYDRAULIC DAMPING SYSTEM

- Fitted to all TOURNAMENT turnstiles

RELIABLE

TECHNOLOGY

- Consistently smooth rotation
- Ultra quiet operation

DURABLE

FEATURES

- Low mechanical stress

GUARANTEED

MANUFACTURED TO LAST

- 1 year guarantee

Technical Specifications

POWER	220 Volt AC (110 Volt AC on request)	
FREQUENCY	50Hz / 60Hz	
POWER CONSUMPTION	50W	
SOLENOID VOLTAGE	24 Volt DC (12 Volt DC on request)	
LOGIC VOLTAGE	24 Volt DC	
DIMENSIONS	See overleaf	
ROTOR ARMS	38mm diameter stainless steel fixed tube arms	
BASE	<ul style="list-style-type: none"> • Heavy duty steel base with rubberised non-slip walkway • Forklift channels 	
WEIGHT	TOURNAMENT Single	243 lbs. (110kg)
DESIGN	Modular bolt-together design for ease of transport and installation. Components can pass through a standard door. Can be packed in broken-down form either onto a pallet or into a crate for transport	
SYSTEMS INTEGRATION	<ul style="list-style-type: none"> • Integrates with all access control and time & attendance systems • Unlocking for entry / exit rotation controlled through normally open dry contact • Transaction / Rotation complete output • Integral wireways with draw wires in place – no exposed wires 	

Manufacturing options

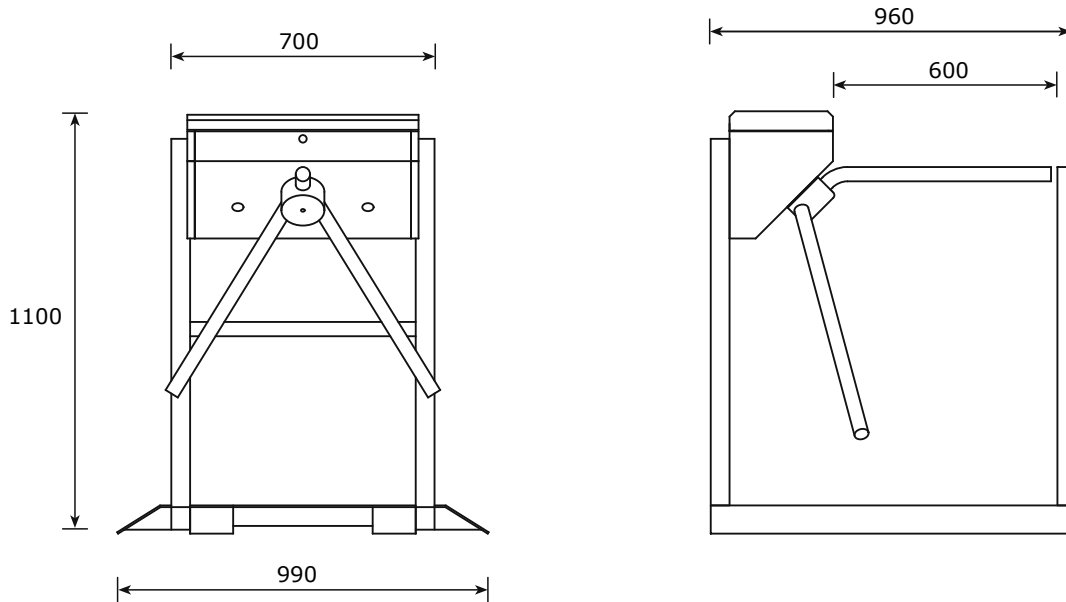
ROTATION OPTIONS	<ul style="list-style-type: none"> • Electrically controlled bi-directional rotation (factory standard) • Mechanically controlled uni-directional rotation by means of a hand operated lever • Mechanically controlled uni-directional rotation by means of key override • Free rotation
LOCKING OPTIONS	<ul style="list-style-type: none"> • Fail-secure auto-lock on power failure (factory standard) • Fail-safe auto-unlock on power failure • Each direction of rotation configurable for either fail-secure or fail-safe operation
FIRE ALARM OPTIONS	<ul style="list-style-type: none"> • Free rotation when triggered indefinitely (logic programmed for either direction of rotation on request)
POWER OPTIONS	<ul style="list-style-type: none"> • Battery backup with two 12 volt 7Ah batteries connected in series <ul style="list-style-type: none"> o Up to 1 000 transactions in fail-secure mode o Up to 60 minutes operation in fail-safe mode
ACCESSORY OPTIONS	<ul style="list-style-type: none"> • Single / Double pushbutton in plastic housing • LED red cross & green arrow indicator light • Multiple coin acceptor for pay-for-entry systems • LCD transaction counter with reset key switch • Random search device
BASE, CABINET & TOP COVER FINISH OPTIONS	<ul style="list-style-type: none"> • Mild steel with UV resistant polyester exterior powder coat finish (charcoal blue hammertone) <input type="checkbox"/> • 304 grade brushed stainless steel • 316 grade brushed stainless steel <input type="checkbox"/> <input type="checkbox"/> other colours available on request <input type="checkbox"/> suitable for corrosive environments (details available on request)

INSTALLATIONS



TOURNAMENT RANGE

TOURNAMENT SINGLE



© Turnstar Systems 2011

- Sole supplier of turnstiles to the ICC Cricket World Cup 2003
- Sole supplier of turnstiles to the CAF African Cup of Nations, Ghana 2008
- Sole supplier of turnstiles to the Green Point, Soccer City, Ellis Park, Loftus Versveld, Royal Bafokeng, Bloemfontein, Nelspruit and Polokwane South African National Football Stadiums