

TITAN HALF HEIGHT INDUSTRIAL TURNSTILE



- The TITAN Half Height is a medium security, aesthetic choice for your entrance
- Designed for high speed ultra quiet operation
- Exported worldwide

APPLICATIONS

- Suited for applications requiring high volume access and medium levels of security
- Used extensively in applications such as mines, factories, warehouses, universities and stadiums

DESIGNED FOR

- Interior and exterior installations
- Severe operating conditions

AVAILABLE CONFIGURATIONS

- 3 arm (120°) and 4 arm (90°)
- Single and Double

TECHNICAL SPECIFICATIONS

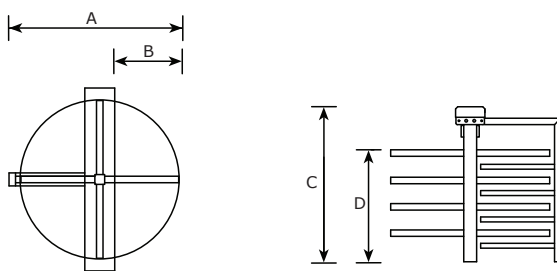
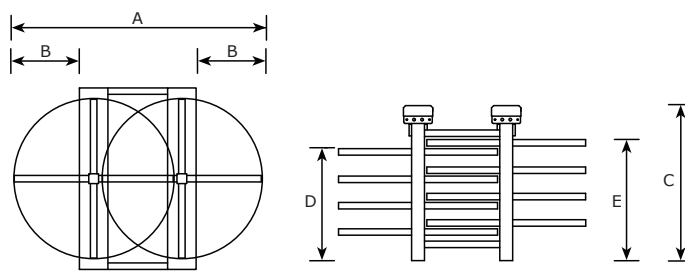
POWER	220 Volt AC (110 Volt AC on request)	
FREQUENCY	50Hz / 60Hz	
POWER CONSUMPTION	50W (single turnstile) / 100W (double turnstile)	
SOLENOID VOLTAGE	24 Volt DC (12 Volt DC on request)	
LOGIC VOLTAGE	24 Volt DC	
DIMENSIONS	Single turnstile:	• 52.5" (1335mm) wide x 55.1" (1400mm) long x 47" (1195mm) high
	Double turnstile:	• 76.7" (1950mm) wide x 55.1" (1400mm) long x 47" (1195mm) high
ROTOR DIAMETER	1 200mm	
ROTOR ARM CONFIGURATION	<ul style="list-style-type: none"> • 3 arm (120°) • 4 arm (90°) 	
ROTOR ARMS	2" (50mm) diameter tube arms	
WEIGHT	Single turnstile (4 arm)	286.5 Lbs. (130kg)
	Double turnstile (4 arm)	463 Lbs. (210kg)
DESIGN	Modular bolt-together design for ease of transport and installation. Components can pass through a standard door. Can be packed in broken-down form either onto a pallet or into a crate for transport	
SYSTEMS INTEGRATION	<ul style="list-style-type: none"> • Integrates with all access control and time & attendance systems • Unlocking for entry / exit rotation controlled through normally open dry contact • Transaction / Rotation complete output • Integral wireways with draw wires in place – no exposed wires 	

MANUFACTURING OPTIONS

ROTATION OPTIONS	<ul style="list-style-type: none"> • Electrically controlled bi-directional rotation (factory standard) • Mechanically controlled uni-directional rotation by means of key override • Free rotation
LOCKING OPTIONS	<ul style="list-style-type: none"> • Fail-secure auto-lock on power failure (factory standard) • Fail-safe auto-unlock on power failure • Each direction of rotation configurable for either fail-secure or fail-safe operation
FIRE ALARM OPTIONS	<ul style="list-style-type: none"> • Free rotation when triggered indefinitely (logic programmed for either direction of rotation on request)
POWER OPTIONS	<ul style="list-style-type: none"> • Battery backup with two 12 volt 7Ah batteries connected in series <ul style="list-style-type: none"> o Up to 1000 transactions in fail-secure mode o Up to 60 minutes operation in fail-safe mode
ACCESSORY OPTIONS	<ul style="list-style-type: none"> • Turnstile screen (in matching finish) • Card / Proximity reader mounting brackets • Biometric / Fingerprint reader mounting brackets • Single / Double pushbutton in plastic housing • LED red cross & green arrow indicator light • Multiple coin acceptor for pay-for-entry systems • LCD transaction counter with reset key switch • Random search device
FINISH OPTIONS	<ul style="list-style-type: none"> • Mild steel with UV resistant polyester exterior powder coat finish (charcoal blue hammertone) • Mild steel with hot dip galvanised finish • Mild steel hot dip galvanised with UV resistant polyester exterior powder coat finish (charcoal blue hammertone) • 304 grade brushed stainless steel • 316 grade brushed stainless steel
	<p>suitable for corrosive environments (details available on request)</p> <p>other colours available on request</p>

TITAN DIMENSIONS Dimensions: Inches (Millimeters)

TITAN SINGLE RANGE			TITAN DOUBLE RANGE		
A	Turnstile width	52.5" (1335)	A	Turnstile width	76.75" (1950)
B	Walkthrough width	20.5" (525)	B	Walkthrough width	20.5" (525)
C	Overall height	47" (1195)	C	Overall height	47" (1195)
D	Arm height (1)	33.75" (860)	D	Arm height (1)	33.75" (860)
E	Arm height (2)	N/A	E	Arm height (2)	36.75" (935)

TITAN SINGLE		TITAN DOUBLE	
			

**Note: The turnstile screen shown below is an optional extra.
Due to our policy of continuous improvement, products are subject to change without notice.
Custom designs available on request**

QUALITIES

- 1 Rotalok® rotation locking mechanism and electronic control panel
- Incorporates:
 - Anti-Trap® safety system
 - Suspended Rotor technology
- 2 Lockable top cover
- 3 Mechanical key override
- 4 Shock absorbing rubber coupling
- 5 2" (50mm) diameter tube arms
- 6 Access control reader mounting position
- 7 Rotarun® perpetual base bearing
- 8 Wiring entry point
- 9 Optional turnstile screen

