

## FULL HEIGHT SECURITY GATE



- Provides controlled access and unassisted opening and closing for any need, be it trolley, wheelchair or baby buggy
- Designed for intensive use
- Exported worldwide

### APPLICATIONS

- Suited for applications requiring low volume access and medium levels of security
- Available with padlockable lugs, mortice lock and 180kg magnetic lock with door closer
- Supplied in matching finish to the turnstile
- Additional security barriers beside and above the turnstile/gate are available

### DESIGNED FOR

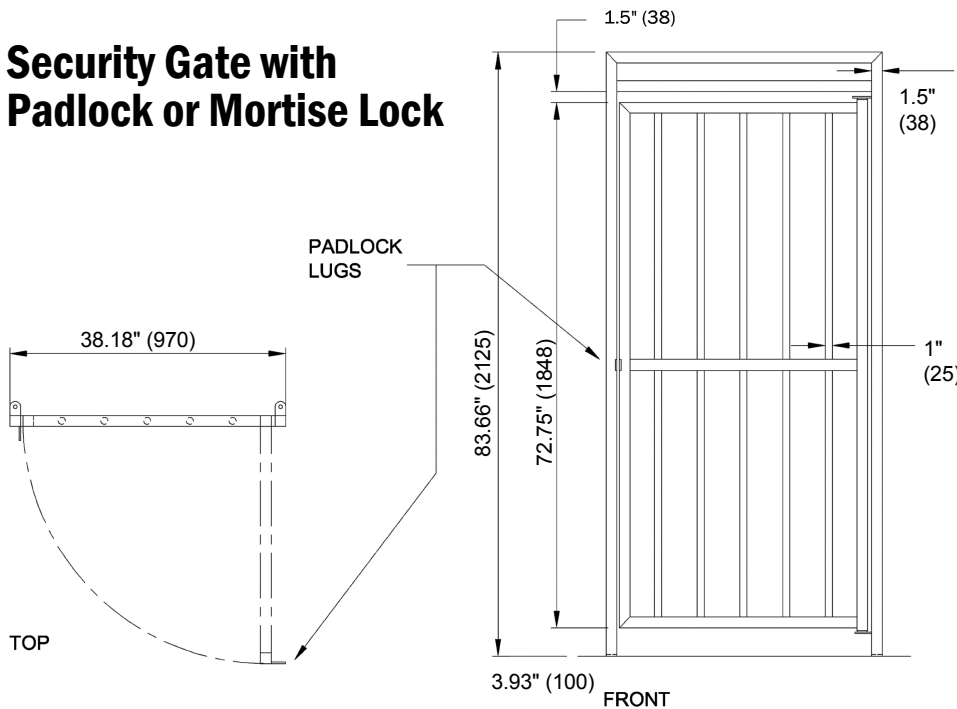
- Interior or exterior installations

### AVAILABLE CONFIGURATIONS

- Left hand and right hand opening options
- Hot dip galvanized - Zinc coating suitable for corrosive environments
- Powder coated gray - Polyester exterior grade powder coat
- 304 grade brushed stainless steel (316 Stainless steel available: call for quote)

## TECHNICAL SPECIFICATIONS

### Security Gate with Padlock or Mortise Lock



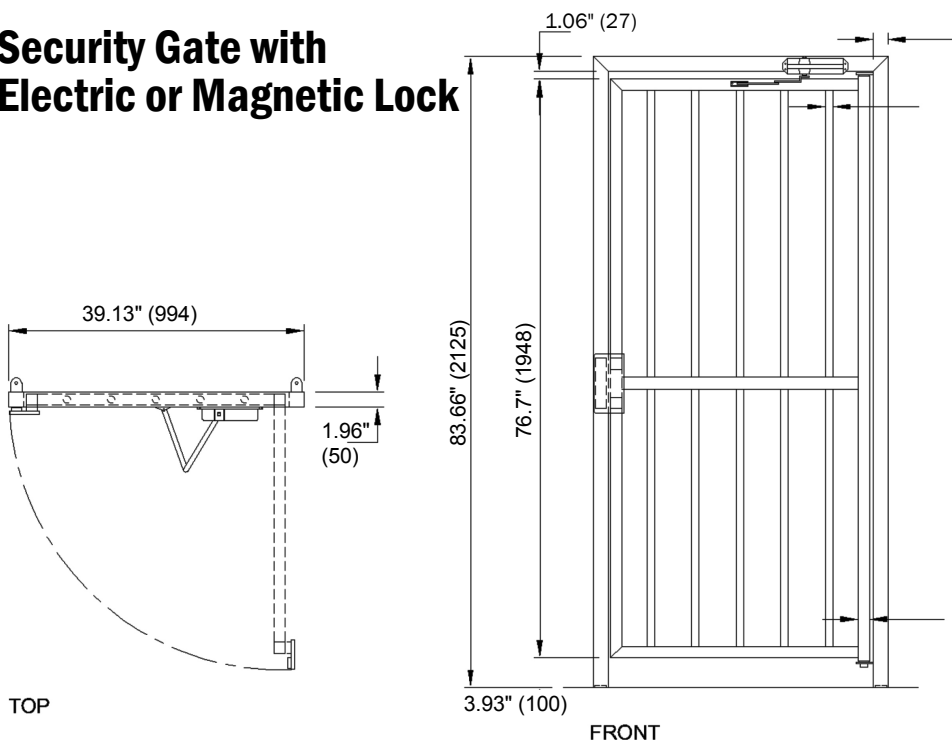
#### Exterior Dimensions

*inches (mm)*  
39.37" (1000) W x  
83.66" (2125) H

#### Interior Dimensions

33.46" (850) W x  
72.75" (1848) H  
Construction: 1.5" (38) or  
2" (50) Square Tube Frame  
with 1" (25) Round Tube  
Vertical Bars

### Security Gate with Electric or Magnetic Lock



#### Exterior Dimensions

*inches (mm)*  
39.13" (994) W x  
83.66" (2125) H

#### Interior Dimensions

36.14" (918) W x  
76.7" (1948) H  
Construction: 1.5" (38) or  
2" (50) Square Tube Frame  
with 1" (25) Round Tube  
Vertical Bars