

DROP ARM BARRIER



- With a wide range of applications, the DROP ARM BARRIER is the perfect solution for your entrance.
- The drop arm barrier is suitable for the most prestige of installations and is designed to be a reliable, durable and aesthetic solution.
- Exported worldwide.

APPLICATIONS

- Suited for applications requiring medium volume access and medium levels of security
- Used extensively in applications such as office reception areas, universities, health clubs, museums and libraries

DESIGNED FOR

- Interior installations

AVAILABLE CONFIGURATIONS

- Various barrier arm materials including stainless steel and polycarbonate
- Stainless steel and granite top covers

Unique features of the DROP ARM BARRIER

- Heavy duty electromechanical mechanism
- Designed by professional engineers
- Tried, tested and perfected over a period of more than 20 years

TECHNICAL SPECIFICATIONS

- 100% duty geared torque motor – consistent & long lasting operation
- Double buffered mechanism lowers mechanical stress which means longer operational life
- Heavy duty pillow block ball bearings
- Microprocessor logic control board
- Stand-alone optical safety detector (does not require a reflector)

FEATURES

- Motor and gearbox housed in fully sealed, protective aluminum housing
- Cabinet manufactured from 304 grade brushed stainless steel
- Factory settings need no further adjustment
- 12 month mechanical & electrical guarantee

INSTALLATIONS



TECHNICAL SPECIFICATIONS

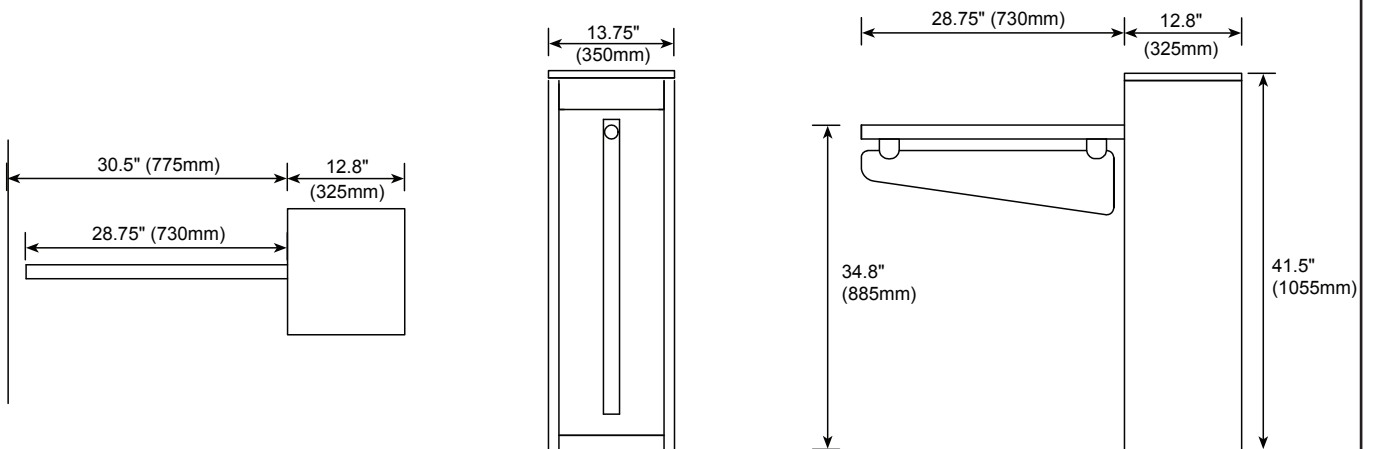
POWER	220 Volt AC
FREQUENCY	50Hz
POWER CONSUMPTION	80W
CABINET WEIGHT	45kg
CABINET FINISH	304 grade brushed stainless steel
SYSTEMS INTEGRATION	<ul style="list-style-type: none"> Integrates with all access control and time & attendance systems Triggered through a normally open dry contact

MANUFACTURING OPTIONS

BARRIER ARM OPTIONS	<ul style="list-style-type: none"> 1.5" (38mm) diameter stainless steel tube 1.5" (38mm) diameter stainless steel tube with polycarbonate skirt Polycarbonate barrier with aluminum top strip
FRAMED 180°TOP COVER OPTIONS	<ul style="list-style-type: none"> 304 grade brushed stainless steel Rustenburg granite

DROP ARM BARRIER RANGE

DROP ARM BARRIER - 1.5" (38mm) DIAMETER STAINLESS STEEL TUBE WITH POLYCARBONATE SKIRT



DROP ARM BARRIER - POLYCARBONATE BARRIER WITH ALUMINIUM TOP STRIP

